

EF12 Flow meter

- aluminium version till 12 bar system pressure



Description:

The flow meter consists of a flow measurer and a dosage valve. A floating body in the measuring tube shows the flow rate on a scale.

Low weight is a result of ergonomic design and compact dimensions, optimum handling and a minimum on gas-affected surfaces.

The manometer shows the filling pressure in the Cartridge pressure regulator.

Application area:

Extraction system for cartridges

Charging without pressure reducing

Technical details:

Body:	aluminium anodised
Seat:	FPM (FKM / Viton®)
Max. Pressure:	12 bar
Operating temp.:	-20°C to +60°C
Gauge:	Safety version to EN 837-1 KL1,6
Size (WxHxD):	93x92x32 mm
Weight:	145g
Connections:	inlet: UNEF 7/16" outlet: NPT 1/8" f

Hornung Quality standard

The company Hornung is certified to

DIN EN ISO 9001 and ISO 14001:2009.

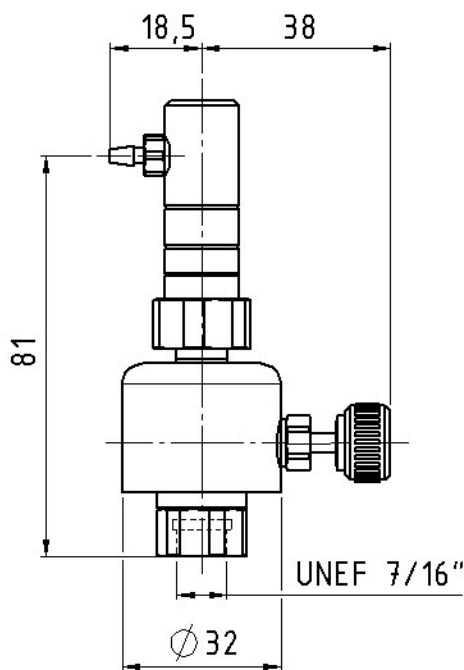
All single parts are manufactured, assembled and tested in house.

The finished parts are therefore under the criteria of our exact quality control with 100% final control.

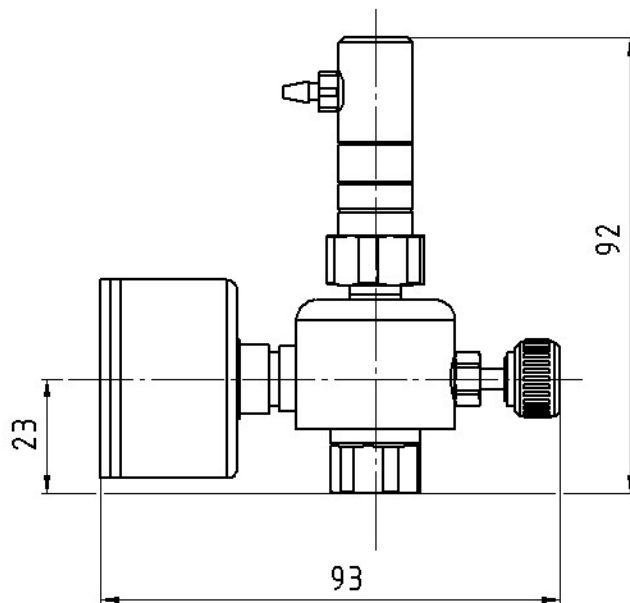
Hornung GmbH
Rathenaustraße 55, 63263 Neu-Isenburg

Phone: +49 6102 7883-70
Fax: +49 6102 7883-40

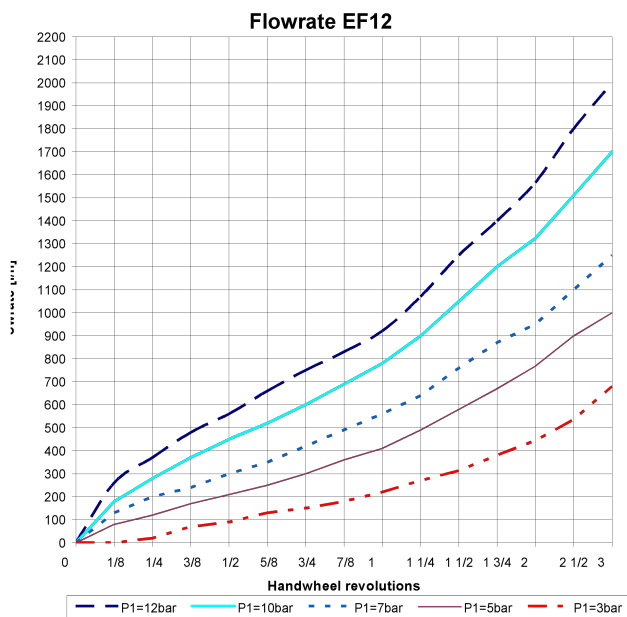
www.hornung.org
info@hornung.org



Without flow indicator



with flow indicator



Order information:

- 0 = without gauge
- 1 = with gauge
- 2 = without flow indicator
- 3 = with flow indicator

Outlet:

- 0 = NPT 1/8" f
- 1 = hose nozzle 3 mm bore
- 2 = compression fitting 3 mm
- 3 = compression fitting 6 mm

EF12 -	1	1	2
Type	Gauge	Outlet	Flow indicator

Accessories:

see catalogue chapter

7. Accessories

HP104 - 02 - 00 - Gasart